

LightFORCE®

LED Headlight Upgrade Kit User Instructions



LED Headlight Upgrade Kit

KIT CONTENTS:

- 2 x LED Globes
- 2 x Harness and drivers
- User Instructions

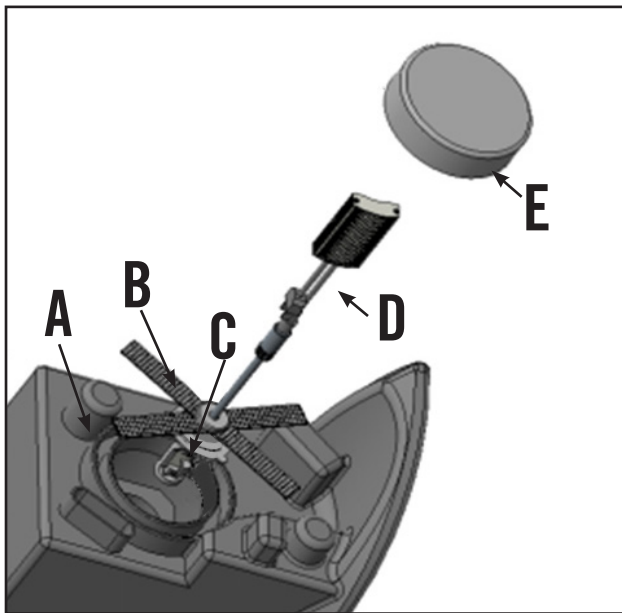


Figure 1 A: Light Housing
 B: Heat Sinks

 C: Headlight globe
 D: Driver

 E: Dust Cover

BEFORE STARTING, PLEASE NOTE:

Use your vehicle manufacturer's procedure for replacing a headlight globe.

Avoid direct contact with LEDs as this may damage the surface and reduce output.

Some headlight assemblies may require modification, or for the driver to be mounted externally.

STEP 1. Following the instructions in your vehicle's owner's manual, remove the headlight dust covers and globes.

STEP 2. (All versions except H4) Position the LED globe into headlamp socket. Manufacturer's retaining clips or locator are used to affix the globe.

STEP 3. (H4 Version ONLY): The base is separate from the LED stem in the packaging, which enables the base to be located inside the headlight assembly first. The vehicle's retaining clip is then fastened before the LED stem is fitted to the base, and rotated clockwise to locate (refer figure 2).

STEP 4. Check your LED globe tabs are aligned correctly inside the housing by viewing from various angles.



Figure 2 - H4 Version only

STEP 5. Carefully insert the heat sinks into the headlamp assembly, and check heat sinks are not folded to ensure maximum heat dissipation (refer figure 3).

STEP 6. Connect the globe power cable to the driver cable and ensure the locking collar is fastened.

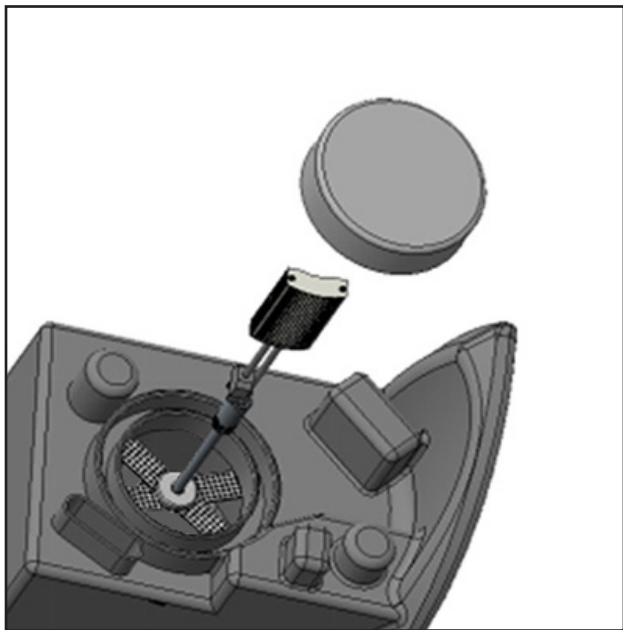


Figure 3

STEP 7. Connect the driver cable to the vehicle's factory connector.

STEP 8. Locate the power cable and driver inside the headlamp assembly (refer figure 4).

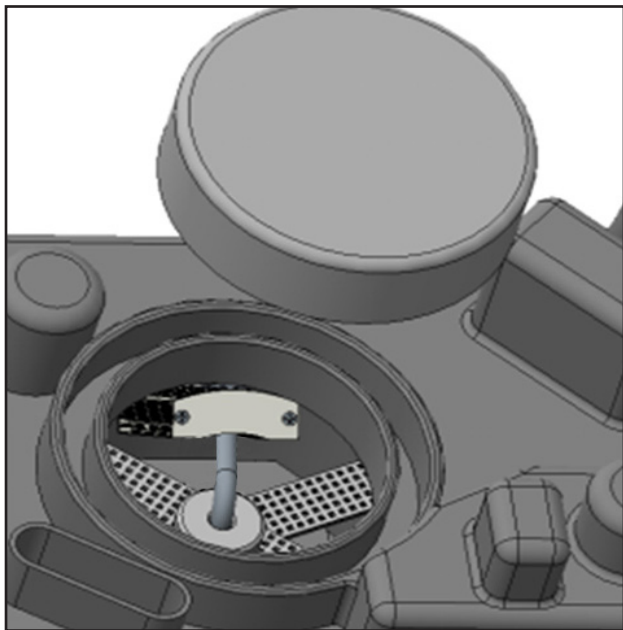


Figure 4

STEP 9. Refit dust cover to rear of light housing (refer figure 5).

STEP 10. Test LEDs for correct operation by turning them on.

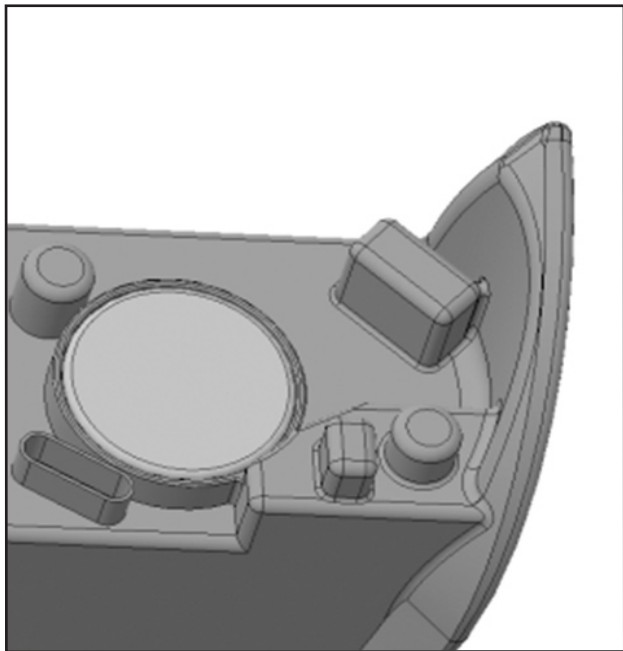


Figure 5

LED Headlight Upgrade Kit

TECHNICAL SPECIFICATIONS

- 12v and 24v compatible
- Current Draw 1.6 amp @ 13.2v compared to around 4 amp for halogen
- Lifespan up to 50,000 hours
- Ingress protection IP65
- Aluminium housing with copper belt heatsinks
- CANbus compatible
- Lumileds Luxeon ZES® LED
- Plug and play.

PRODUCT CODES

ILEDH1	H1 LED HEADLIGHT UPGRADE KIT
ILEDH3	H3 LED HEADLIGHT UPGRADE KIT
ILEDH4	H4 LED HEADLIGHT UPGRADE KIT
ILEDH7	H7 LED HEADLIGHT UPGRADE KIT
ILEDH8	H8 LED HEADLIGHT UPGRADE KIT (H9,
ILEDHB3	HB3 LED HEADLIGHT UPGRADE KIT (9005)
ILEDHB4	HB4 LED HEADLIGHT UPGRADE KIT (9006)

For warranty information and to register your product for warranty purposes, visit lightforce.com/warranty

LIGHTFORCE AUSTRALIA PTY LTD

11 Manton Street, Hindmarsh SA 5007 Australia

www.lightforce.com • Email: sales@lightforce.com

Australia Telephone: 08 8440 0888 | Fax: 08 8346 0504

International Telephone: +61 8 8440 0888 | Fax: +61 8 8346 0504

All logos and images are subject to relevant trademark and copyright protection LIGHTFORCE Pty Ltd. Copyright © 2017. Data and specifications contained may be subject to change without notice. Lightforce Australia Pty Ltd shall not be liable for damage, malfunction, failure resulting from accident, misuse, misapplication, unauthorised repair, neglect, modification, unauthorised or non standard replacement parts, accessories, bulbs, batteries or voltage or operation of the product beyond its technical and or environmental specification.